



# Installation Guide

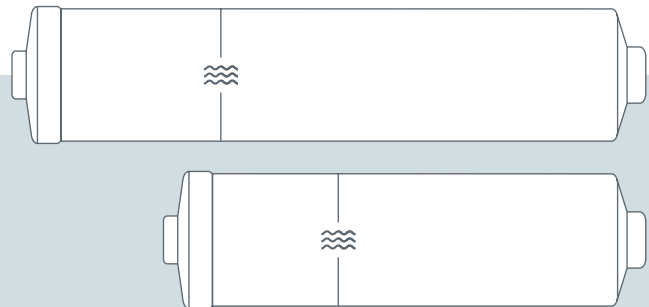
For Under Sink Inline Filters

CONNECTION TYPE : **QUICK CONNECT**

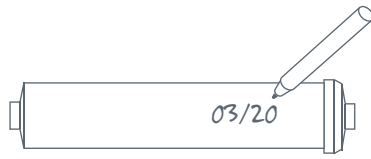
## **MODELS**

WD-4K / WD-10K

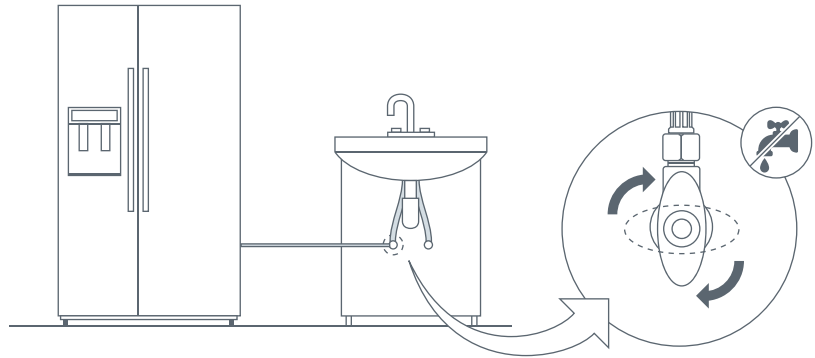
For installation questions or customer support,  
please contact us at [www.woder.com/support](http://www.woder.com/support).



1

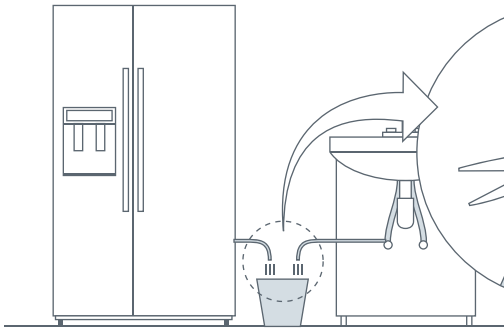


Write the installation date on the filter for future references.

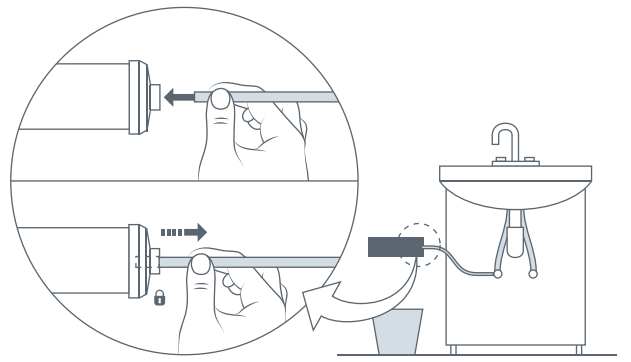


Turn off the water supply valve.  
Water supply valve is usually under the sink, but not always

2

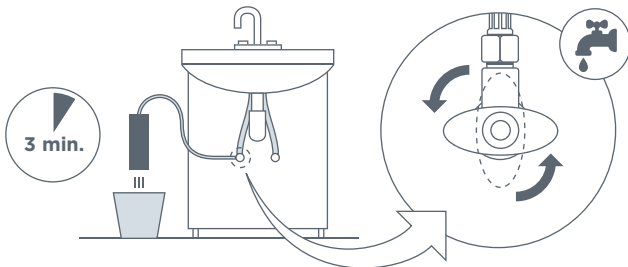


Place a bucket underneath the water supply line and cut the Plastic / Copper water supply line.

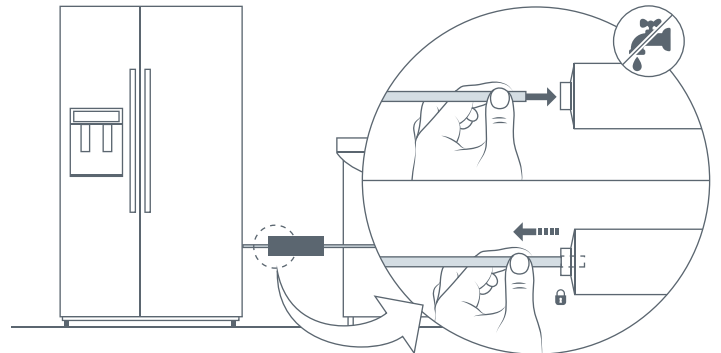


Push the tubing from the water supply line firmly into the inlet side of the filter and then pull back to tighten. Inlet side is on the cap side

3

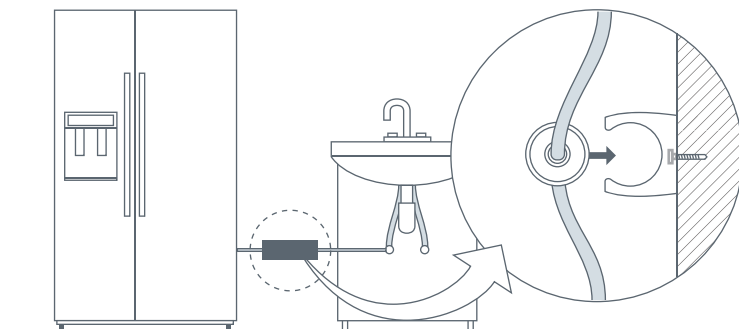


Activate the filter by gradually turning on the water supply and pointing the outlet of the filter towards the bucket. Allow the water to flow for 3 minutes.

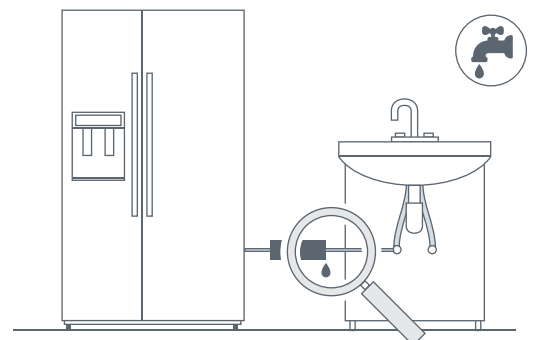


Turn off water supply again and push the outlet water line firmly into the outlet portion of the filter and then pull back to tighten.

4



Secure Mounting bracket in a convenient location.



Turn on the water supply and check for leaks.