



# Installation Guide

For *SINGLE-STAGE* & *DUAL-STAGE* Replacement Cartridges

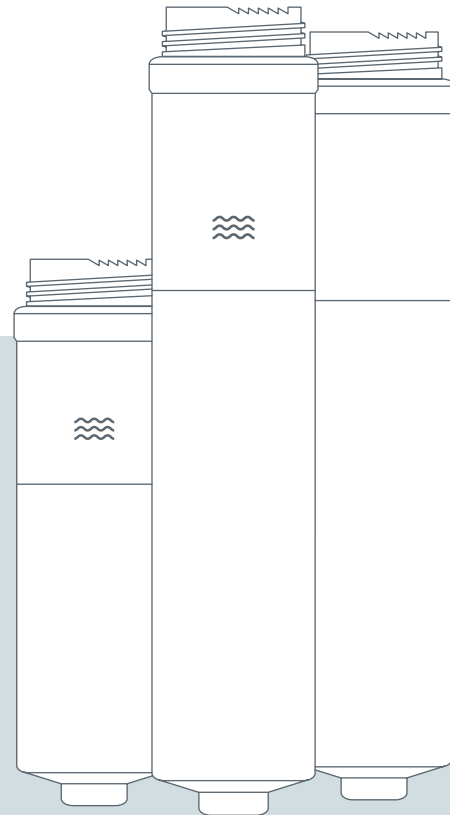
## **MODELS**

WD-S-5K / WD-S-8K / ADV-REP

WD-HM-REP / WD-20M-REP

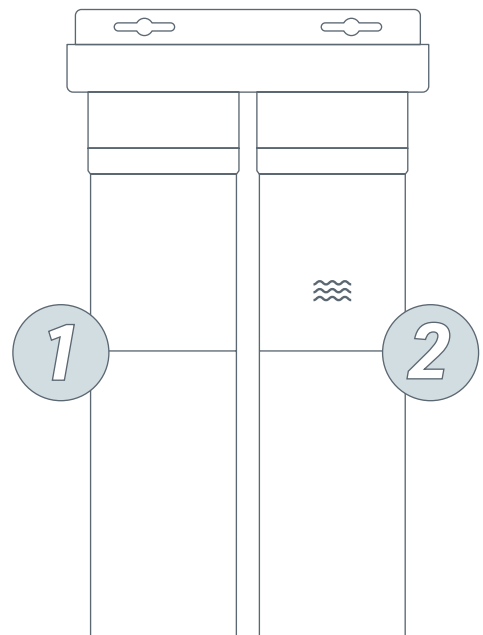
WD-FRM-5K-REP / WD-FRM-8K-REP

For installation questions or customer support,  
please contact us at [www.woder.com/support](http://www.woder.com/support).

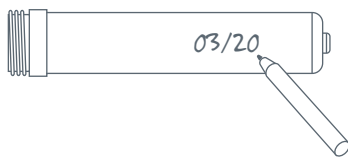


# Staging Sequence

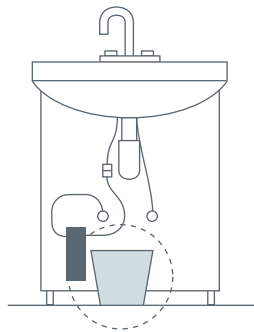
When utilizing a dual-stage system the Advanced filter should always be the second (final) stage of the system cycle. This staging sequence ensures optimum turbidity, taste, and efficiency.



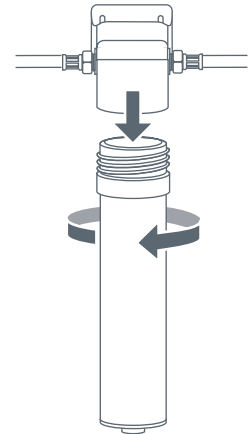
1



Write the installation date on the filter for future references.

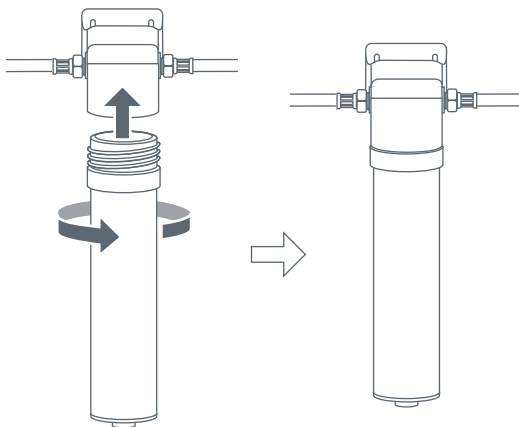


Place a bucket under the Woder filter, just in case.

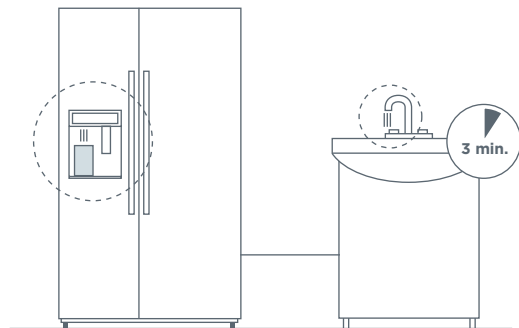


Unscrew the used Woder Filter cartridge. The water shuts off automatically. (There are built-in valves in the system).

2



Screw in the new Woder Filter cartridge. The water cuts back on when you screw the new filter on.



Activate the filter by allowing the water to flow for 3 minutes.